

CLAMPBORG®



GARDEN TROLLEY (WITH REMOVABLE LINER) MODEL NO: GT3

PART NO: 3400185

ASSEMBLY INSTRUCTIONS

GC 1224 rev 3

INTRODUCTION

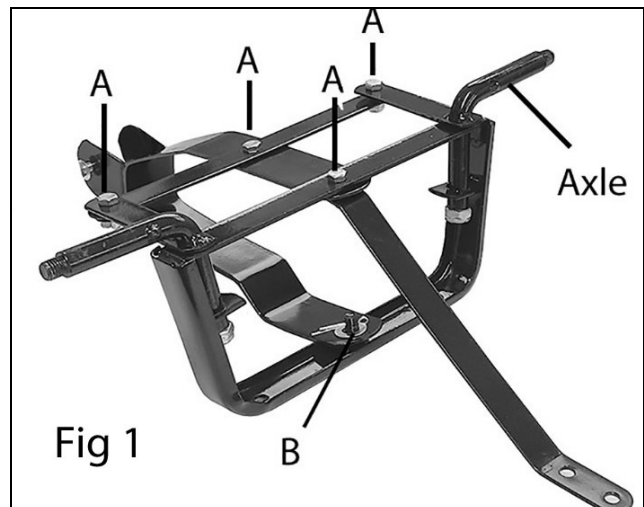
Thank you for purchasing this CLARKE Garden Trolley. Before attempting to use this product, please follow the instructions carefully. In doing so you will ensure the safety of yourself and that of others around you and you can look forward to your purchase giving you long and satisfactory service.

SAFETY PRECAUTIONS

1. **ALWAYS** be sure you are strong enough to move heavy loads.
2. **DO NOT** exceed the 150kg maximum working load for this trolley.
3. **DO NOT** park the trolley on a gradient without securely chocking the wheels.
4. **DO NOT** allow children to play with or ride in the trolley.
5. **NEVER** use the trolley if any of the tyres are deflated.
6. **NEVER** use the trolley to transport personnel or animals.
7. **ALWAYS** inspect the trolley for signs of wear or damage before use.
8. **ALWAYS** ensure the load is evenly distributed and is stable.

ASSEMBLY

1. Assemble the steering linkage components to the front axle bracket as shown in Fig 1.
 - Bolts 'A' are used at all linkage points.
 - Secure the linkage at point 'B' using the flat washer and split pin.

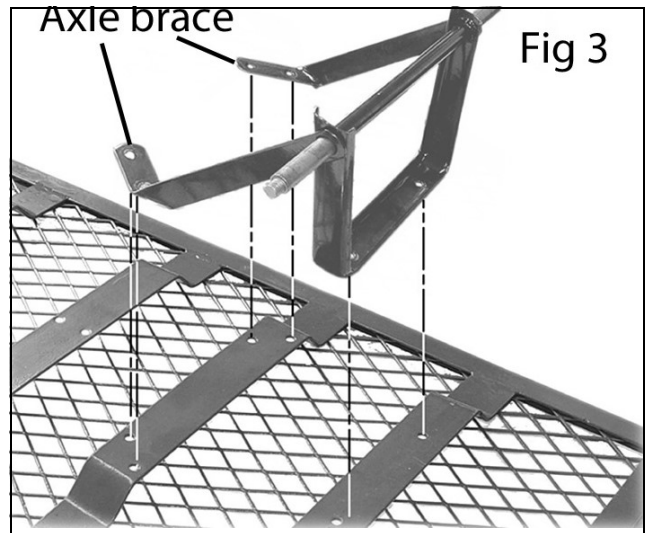


2. Turn the trolley bed on its back and attach the sub-assembly to the bed using the bolts, flat washers and lock-nuts supplied as shown in Fig 2.

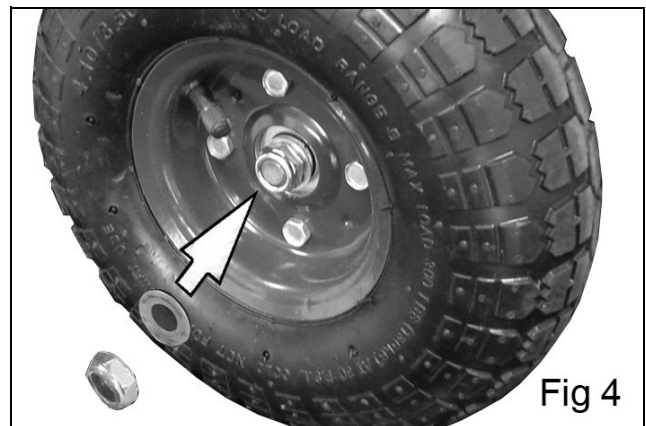
NOTE: Flat washers should be used against the nuts. DO NOT over-tighten.



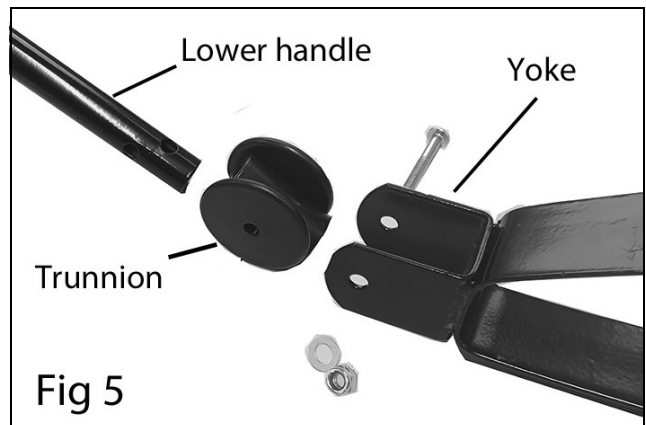
- Slide the axle braces, over the ends of the rear axle and attach the assembly to the trolley bed using the bolts, flat washers and lock-nuts supplied as shown in Fig.3.



- Attach the wheels, securing with the large flat washers and nuts as shown in Fig 4, taking care not to over-tighten. (nut & washer shown fitted)
- Turn the complete trolley assembly the right way up.



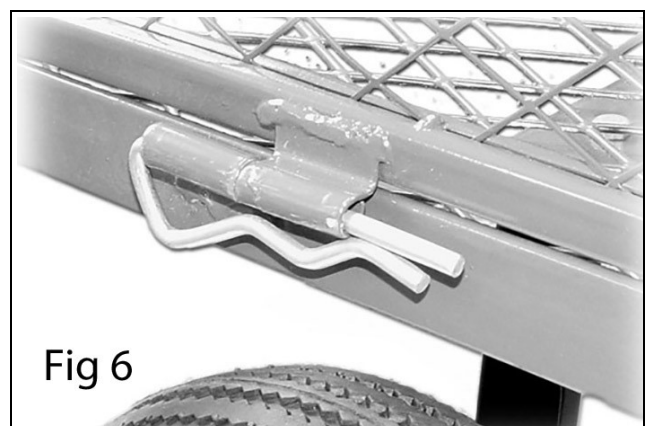
- Slide the lower handle into the trunnion and attach both to the yoke on the steering assembly as shown in Fig 5 using the bolt, washer and nut.
- Add the upper handle section and secure using the bolt and split-pin.
 - Note that the complete handle assembly can be twisted through 90 degrees if required using the additional holes at the end of the lower handle.



- Attach the side and end fences to the bed using the 'R' clips as shown in Fig 6.

Clip the removable liner to the side panels if carrying loose materials and sit the mesh basket astride the side frames.

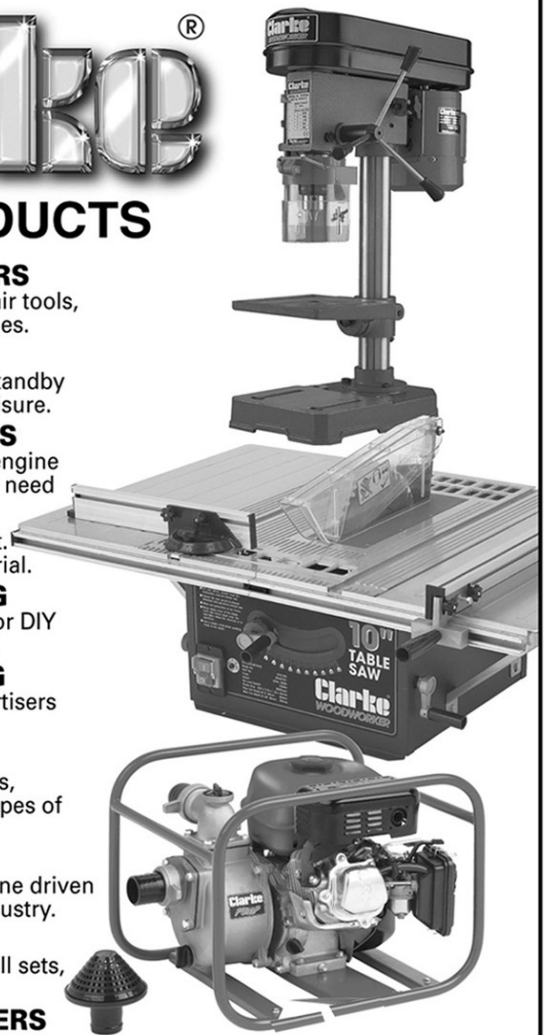
Replacement parts are available from your CLARKE dealer.



A SELECTION FROM THE VAST RANGE OF

Clarke®

QUALITY PRODUCTS



AIR COMPRESSORS

From DIY to industrial, Plus air tools, spray guns and accessories.

GENERATORS

Prime duty or emergency standby for business, home and leisure.

POWER WASHERS

Hot and cold, electric and engine driven - we have what you need

WELDERS

Mig, Arc, Tig and Spot. From DIY to auto/industrial.

METALWORKING

Drills, grinders and saws for DIY and professional use.

WOODWORKING

Saws, sanders, lathes, mortisers and dust extraction.

HYDRAULICS

Cranes, body repair kits, transmission jacks for all types of workshop use.

WATER PUMPS

Submersible, electric and engine driven for DIY, agriculture and industry.

POWER TOOLS

Angle grinders, cordless drill sets, saws and sanders.

STARTERS/CHARGERS

All sizes for car and commercial use.

Guarantee

This product is guaranteed against faulty manufacture for a period of 12 months from the date of purchase. Please keep your receipt which will be required as proof of purchase.

This guarantee is invalid if the product is found to have been abused or tampered with in any way, or not used for the purpose for which it was intended. Faulty goods should be returned to their place of purchase, no product can be returned without prior permission.

This guarantee does not affect your statutory rights.

PARTS & SERVICE: 020 8988 7400

E-mail: Parts@clarkeinternational.com or Service@clarkeinternational.com

SALES: UK 01992 565333 or Export 00 44 (0)1992 565335

Clarke INTERNATIONAL Hemnall Street, Epping, Essex CM16 4LG
www.clarkeinternational.com